

5

4

3

2

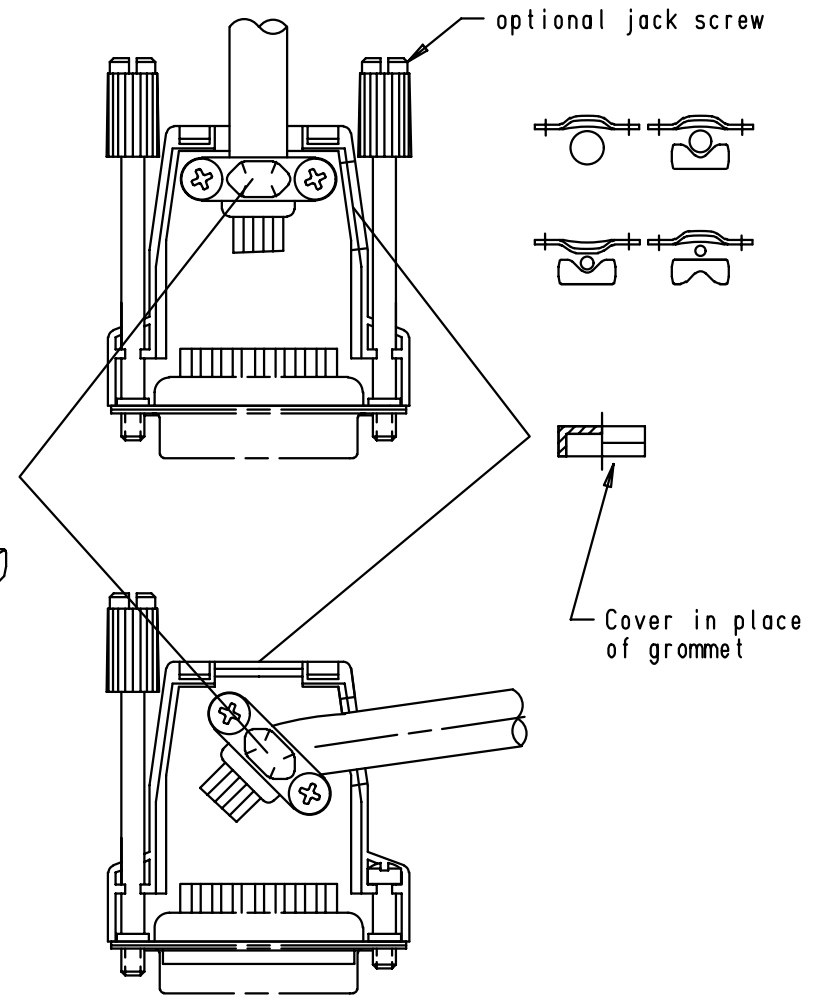
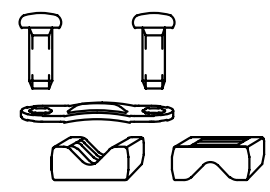
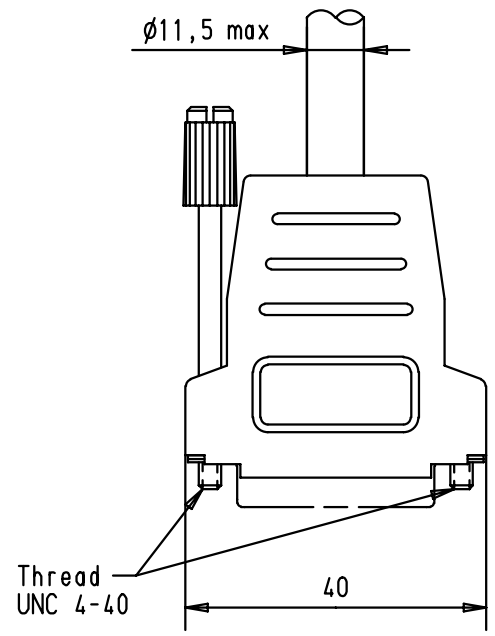
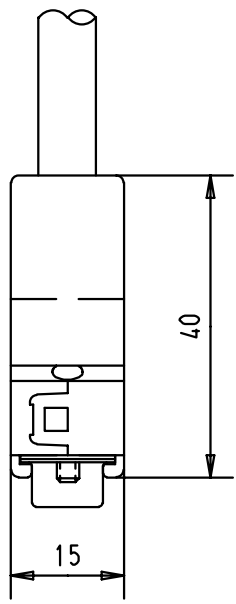
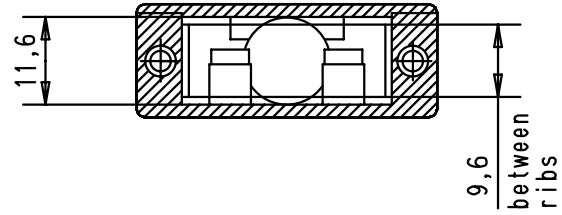
1

D

C

B

A



					Detail.	Dat.	Name	<p>All Dim. in mm Orig. Size DIN A 4</p>	D-Sub, Top and side entry hood with knurled screws 15 poles Thermoplastic black	Maßstab/ Scale 1:1
					Insp.					
					Stand.					
09 67 015 0434	4-40 UNC		29760	28-MAR-02	CV	HARTING EURL F-95972 Paris			TB 09670150434	Blatt/ Page 1
Part number	Screw thread	Performance level	Mod.	Dat.	Name					